

GM-PDCL Stainless Steel 316 Privacy Door Compression Latch

Features

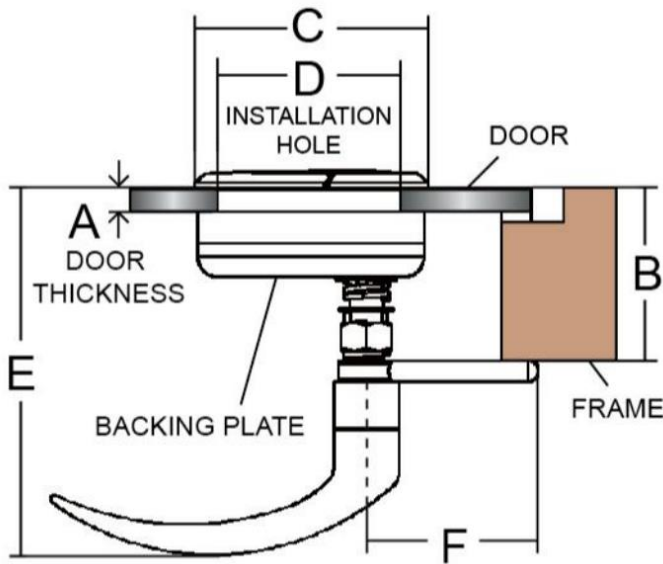
- Watertight
- Larger handle opening for comfortable grip
- Detent handle design ensures fixed positioning after a 90° turn
- Handle up position indicates head in use, unique design allows inside egress even if the handle is pushed accidentally to closed position
- Loctite is required during installation of lever handle

Material

- Stainless steel 316

Parts Included

- Installation screws (size #8)
- 9 mm spacer shim



Part No.	Type	A	B	C	D	E	F
GM-PDCL-A407841	Non Locking	1 ~ 20	49 ~ 63.5	65	51	103 ~ 117.5	48
GM-PDCL-A407843	Locking	6 ~ 20					
GM-PDCL-A407843-9		10 ~ 26					